

PROJECT:	
FIXTURE TYPE:	
APPROVED BY:	DATE:
NOTES:	

WW



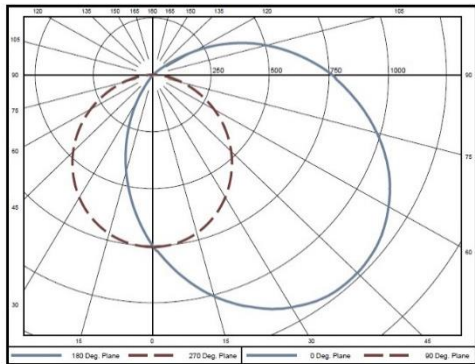
LUMENS / WATTS

OUTPUT	WATTS/FT.	LUMENS/FT.
STANDARD (ST)	7.5	809
HIGH OUTPUT (HO)	15	1470

NOTE: HO Boards are only available in 22" lengths

Lumen results are shown as 4000K

LIGHT DISTRIBUTION



For full photometry and IES visit www.lumeneralighting.com

Pendant or Surface: Wall Wash Linear LED

SPECIFICATION



FIVE YEAR WARRANTY



APPLICATIONS: Office Buildings, Schools, Hospitality, Healthcare, Retail.

HOUSING: Extruded Aluminum sides powder coated with matte finish. Steel end plates painted to match finish.

ELECTRICAL: Philips Xitanium Universal LED Drivers (120-277V) and Philips Fortimo LED Boards (83 CRI – Consult factory for higher CRI) compatible with 0-10V dimming systems to deliver reliably smooth dimming performance down to a minimum of 1%. Dimming must be specified in the part number. Drivers can be calibrated by factory for specific lumen output. Standard Output is 7.5 watts per foot and High Output is 15 watts per foot. Minimum operation temperature is -25 C and maximum operation temperature is 50 C.

OPTICS: Lift and tilt white opal lens for high transmission and smooth illumination.

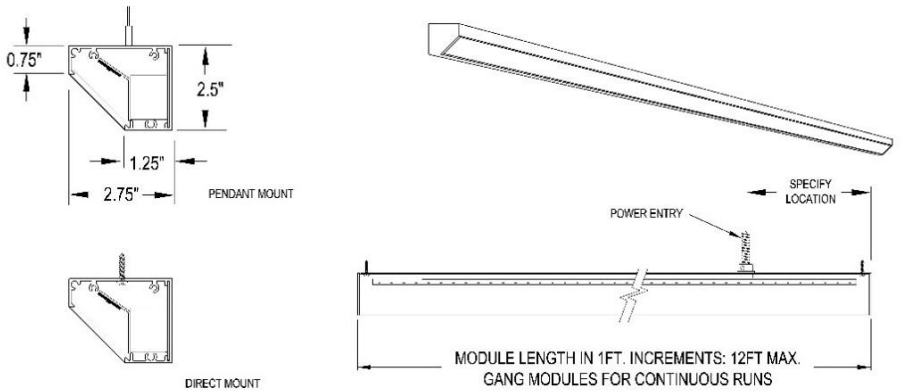
MOUNTING: For pendants; White rounded power cable is an SJ18/3 conductor wire; To canopy mounted to ceiling J-Box. For surface mount; predrilled holes provided for ease of installation.

JOINING: For continuous runs, factory will provide three 1" steel pins at the end of each module which are inserted in the side grooves of the extrusion. These pins are then inserted into the joining module to align the run. Each module in the run is labeled for easy field installation.

WARRANTY/CERTIFICATION: Drivers and LED boards are rated for 50,000 hours. 5 Year Warranty. ARRA Compliant. UL & cUL Listed.

DIMENSIONS

Due to continued improvements, RLE Industries reserves the right to change specifications with or without notice.



ORDERING INFORMATION

When ordering, check or mark each box to select the options desired for the project. Unmarked boxes will be treated as standard assembly. Standard LED Boards come in multiple sizes and can accommodate almost any nominal length. High Output (HO) Boards are 22" in length and projects requiring this output need to be consulted with factory.

MODEL	CATEGORY	RUN LENGTH	LUMENS	CCT	MOUNTING	OPTIONS	FINISH
<input checked="" type="checkbox"/> WW - WALL WASH	<input type="checkbox"/> P - PENDANT <input type="checkbox"/> S - SURFACE	<input type="checkbox"/> XX' - SPECIFY	<input type="checkbox"/> ST - STANDARD <input type="checkbox"/> HO - HIGH OUTPUT <input type="checkbox"/> SPECIFY:	<input type="checkbox"/> 30K - 3000K <input type="checkbox"/> 35K - 3500K <input type="checkbox"/> 40K - 4000K <input type="checkbox"/> 50K - 5000K	<input type="checkbox"/> 48AC - 48" <input type="checkbox"/> SPECIFY: XXAC	<input type="checkbox"/> DIM - DIMMABLE <input type="checkbox"/> EM - EMERGENCY <input type="checkbox"/> EMC - EMERGENCY CIRCUIT <input type="checkbox"/> OCC - OCCUPANCY	<input type="checkbox"/> W - WHITE <input type="checkbox"/> BLK - BLACK <input type="checkbox"/> SVR - SILVER <input type="checkbox"/> SPECIFY: RAL#
		↓	↓	↓	↓		↓
		[]	CUSTOM		SPECIFY Length		[]
					Leave blank if Surface		