

V2



DOWNLIGHT LUMENS / WATTS

OUTPUT	WATTS/FT.	LUMENS/FT.
STANDARD (ST)	7.5	590
HIGH OUTPUT (HO)	15	1070

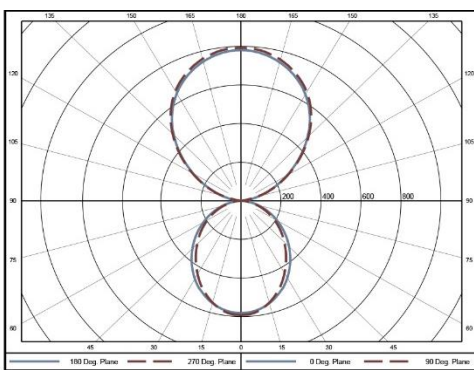
NOTE: HO Boards are only available in 22" lengths

UPLIGHT LUMENS / WATTS

OUTPUT	WATTS/FT.	LUMENS/FT.
STANDARD (ST)	7.5	952

Lumen results are shown as 4000K

LIGHT DISTRIBUTION



For full photometry and IES visit www.lumeneralighting.com

PROJECT:	
FIXTURE TYPE:	
APPROVED BY:	DATE:
NOTES:	

Pendant, Surface or Wall: Vertical 2" Linear LED

SPECIFICATION  FIVE YEAR WARRANTY MITERED CORNERS 

APPLICATIONS: Office Buildings, Schools, Hospitality, Healthcare, Retail.

HOUSING: Solid extruded aluminum housing and steel end plates, powder coated matte white finish. Custom colors are available.

ELECTRICAL: Philips Xitanium Universal LED Drivers compatible with 0-10V dimming systems to deliver reliably smooth dimming performance down to a minimum of 1%. Drivers can be calibrated by factory for specific lumen output. Standard (ST) Philips Fortimo LED Boards (83 CRI – Consult factory for higher CRI) are max 7.5 watts per foot and High Output (HO) LED Boards are max 15 watts per foot. Minimum operation temperature is -25 C and maximum operation temperature is 50 C.

OPTICS: Direct optic utilizes a lift and tilt white opal high transmission spread lens for smooth and even illumination. Indirect optic utilizes a thin opal spread lens for high transmission and smooth illumination.

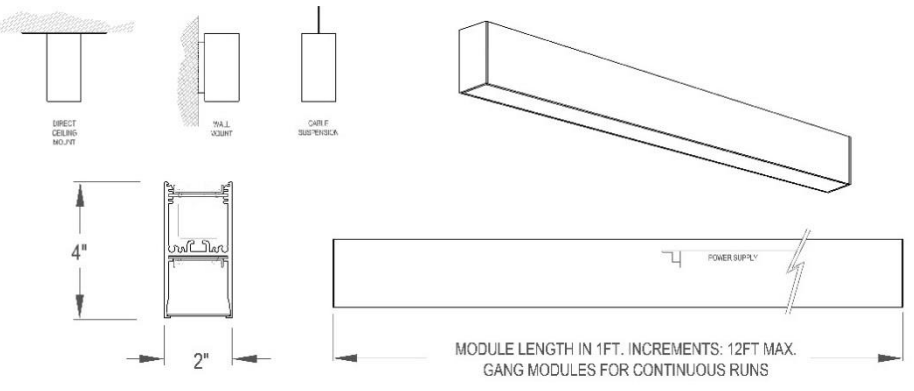
MOUNTING: For pendants; White rounded power cable is an SJ 18/3 conductor wire; To canopy mounted to ceiling J-Box. For surface mount; 4" square plate powder coated to match finish. For wall mounting; heavy gauge rolled steel channel painted to match housing is secured to unit which attaches to a galvanized steel wall channel for ease of installation.

JOINING: For continuous runs, factory will provide two 1" steel pins at the end of each module which are inserted in the end grooves of the extrusion. These pins are then inserted into the joining module and are secured at the roof of the housing by a 16 Gauge Joiner Bracket that goes over the two quarter twenty studs (one stud at the end of each joining module. Each module in the run is labeled for easy field installation.

WARRANTY: Drivers and LED boards are rated for 50,000 hours; 5 Year Warranty. ARRA Compliant. UL & cUL listed.

DIMENSIONS

Due to continued improvements, RLE Industries reserves the right to change specifications with or without notice.



ORDERING INFORMATION

When ordering, check or mark each box to select the options desired for the project. Unmarked boxes will be treated as standard assembly. Standard LED Boards come in multiple sizes and can accommodate almost any nominal length. High Output (HO) Boards are 22" in length and projects requiring this output need to be consulted with factory.

MODEL	CATEGORY	APPLICATION	RUN LENGTH	LUMENS	CCT	MOUNTING	OPTIONS	FINISH
<input checked="" type="checkbox"/> V2 - VERTICAL 2'	<input type="checkbox"/> P - PENDANT <input type="checkbox"/> S - SURFACE <input type="checkbox"/> W - WALL	<input type="checkbox"/> D - DOWN <input type="checkbox"/> DU - DOWN/UP Select "D" if Surface Mount	<input type="checkbox"/> XX' - SPECIFY <div style="border: 1px solid black; width: 50px; height: 20px; margin: 0 auto;"></div>	<input type="checkbox"/> ST - STANDARD DOWNLIGHT <input type="checkbox"/> HO - HIGH OUTPUT DOWNLIGHT <input type="checkbox"/> ST - STANDARD UPLIGHT <input type="checkbox"/> SPECIFY: CUSTOM – Separate DU with a slash	<input type="checkbox"/> 30K - 3000K <input type="checkbox"/> 35K - 3500K <input type="checkbox"/> 40K - 4000K <input type="checkbox"/> 50K - 5000K	<input type="checkbox"/> 48AC - 48" <input type="checkbox"/> SPECIFY: XXAC SPECIFY Length Leave blank if Surface or Wall Mount	<input type="checkbox"/> DIM - DIMMABLE <input type="checkbox"/> EM - EMERGENCY <input type="checkbox"/> EMC - EMERGENCY CIRCUIT <input type="checkbox"/> OCC - OCCUPANCY <input type="checkbox"/> DS - DAYLIGHT SENSOR <input type="checkbox"/> 2C - TWO CIRCUIT <input type="checkbox"/> 2CD - TWO CIRCUIT DIMMING	<input type="checkbox"/> W - WHITE <input type="checkbox"/> BLK - BLACK <input type="checkbox"/> SVR - SILVER <input type="checkbox"/> SPECIFY: RAL# <div style="border: 1px solid black; width: 50px; height: 20px; margin: 0 auto;"></div>