

PROJECT:	
FIXTURE TYPE:	
APPROVED BY:	DATE:
NOTES:	

SC



Surface: Surface Mounted Cove LED Linear

SPECIFICATION   

APPLICATIONS: Office Buildings, Restaurants, Hospitality, Healthcare, Retail.

HOUSING: Extruded aluminum housing body powder coated matte white finish. 20-gauge powder coated steel end plates with integral mounting tabs for ease of installation. .050 aluminum board tray is painted after fabrication to match housing and allows for even heat dissipation of the LED boards. Custom colors are available.

ELECTRICAL: Philips Xitanium Universal LED Drivers (120-277V) and Philips Fortimo LED Boards (83 CRI – Consult factory for higher CRI) compatible with 0-10V dimming systems to deliver reliably smooth dimming performance down to a minimum of 1%. Dimming must be specified in the part number. Drivers can be calibrated by factory for specific lumen output. Standard Output is 7.5 watts per foot. Minimum operation temperature is -25 C and maximum operation temperature is 50 C.

OPTICS: .020 snap in diffuser designed for maximum light transmission.

INSTALLATION: Mounting tabs are customizable based on fixture lengths for ease of installation for all surface types.

JOINING: 7/8 knockouts on ends for continuous runs. Chase nipples (supplied by others) allow for joining and thru-wiring of the fixture modules.

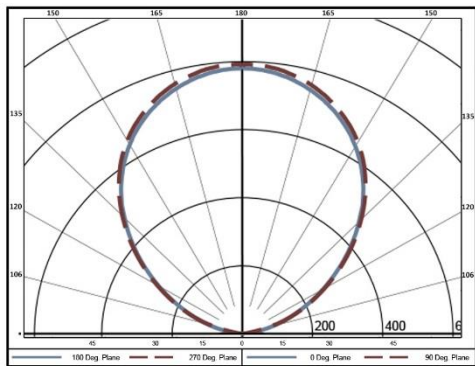
WARRANTY: Drivers and LED boards are rated for 50,000 hours. 5 Year Warranty. ARRA Compliant. UL & cUL listed.

DOWNLIGHT LUMENS/WATTS

OUTPUT	WATTS/FT.	LUMENS/FT.
STANDARD (ST)	7.5	950

Lumen results are shown as 4000K

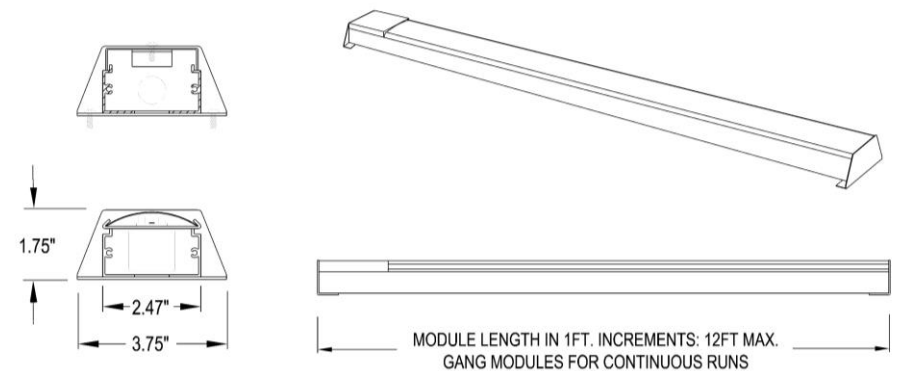
LIGHT DISTRIBUTION



For full photometry and IES visit www.lumeneralighting.com

DIMENSIONS

Due to continued improvements, RLE Industries reserves the right to change specifications with or without notice.



ORDERING INFORMATION

When ordering, check or mark each box to select the options desired for the project. Unmarked boxes will be treated as standard assembly.

MODEL	RUN LENGTH	LUMENS	CCT	OPTIONS	FINISH
<input checked="" type="checkbox"/> SC - SURFACE COVE	<input type="checkbox"/> XX' - SPECIFY ↓ <input style="width: 50px; height: 20px;" type="text"/>	<input type="checkbox"/> ST - STANDARD ↓ <input style="width: 50px; height: 20px; text-align: center; border: 1px solid black;" type="text" value="CUSTOM"/>	<input type="checkbox"/> 30K - 3000K <input type="checkbox"/> 35K - 3500K <input type="checkbox"/> 40K - 4000K <input type="checkbox"/> 50K - 5000K	<input type="checkbox"/> DIM - DIMMABLE	<input type="checkbox"/> W - WHITE <input type="checkbox"/> BLK - BLACK <input type="checkbox"/> SVR - SILVER <input type="checkbox"/> SPECIFY: RAL# ↓ <input style="width: 50px; height: 20px;" type="text"/>