

PROJECT:	
FIXTURE TYPE:	
APPROVED BY:	DATE:
NOTES:	

RDR



2" (2) APERTURE LUMENS / WATTS

OUTPUT	WATTS/FT.	LUMENS/FT.
STANDARD (ST)	7.5	523

2 1/2" (2.5) APERTURE LUMENS / WATTS

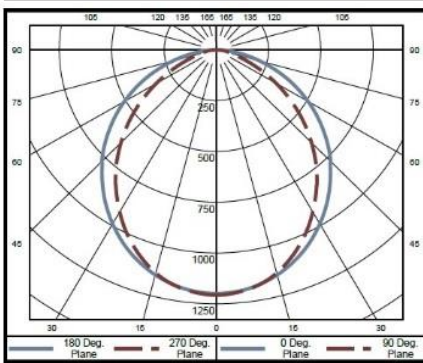
OUTPUT	WATTS/FT.	LUMENS/FT.
STANDARD (ST)	7.5	744

4" (4) APERTURE LUMENS / WATTS

OUTPUT	WATTS/FT.	LUMENS/FT.
STANDARD (ST)	7.5	787

All lumen results are shown as 4000K

LIGHT DISTRIBUTION



For full photometry and IES visit www.lumeneralighting.com

Recessed: Downlight Linear LED with 1" Regressed Lens

SPECIFICATION



FIVE YEAR WARRANTY

MITERED CORNERS



APPLICATIONS: Office Buildings, Schools, Hospitality, Healthcare, Retail.

HOUSING: Extruded aluminum housing sides with 20-gauge thick aluminum end plates, powder coated matte white finish. Heat sink and top plate 1/8" thick aluminum plate. Quarter inch flange available for tile ceilings (T) and half inch flange available for sheetrock installations (SR). Custom colors are available.

ELECTRICAL: Philips Xitanium Universal LED Drivers (120-277V) and Philips Fortimo LED Boards (83 CRI – Consult factory for higher CRI) compatible with 0-10V dimming systems to deliver reliably smooth dimming performance down to a minimum of 1%. Dimming must be specified in the part number. Drivers can be calibrated by factory for specific lumen output. Standard Output is 7.5 watts per foot. Minimum operation temperature is -25 C and maximum operation temperature is 50 C.

OPTICS: Direct optic utilizes a gravity-held lift and tilt white opal high transmission spread lens for smooth and even illumination. One-inch regressed lens to reduce surface brightness and glare.

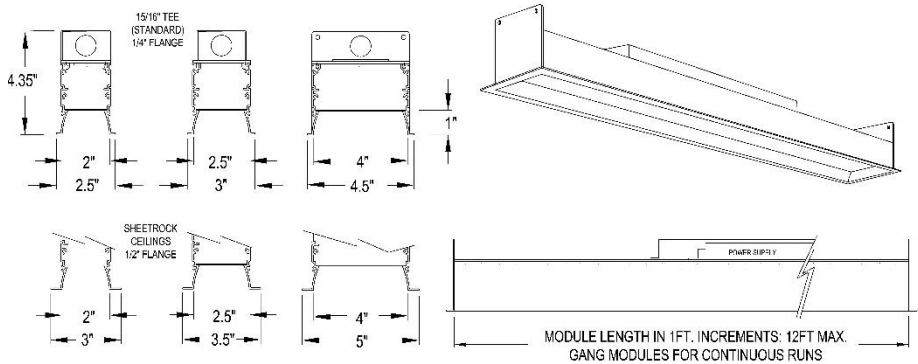
INSTALLATION: Hanging holes located at top of end plate to secure fixture to black iron. Housing designed for easy installation with standard T-Bar clips (supplied by others) for securing fixture to T-Bar.

JOINING: For continuous runs, factory will provide four 1" steel pins at the end of each module which are inserted in the side grooves of the extrusion. These pins are then inserted into the joining module. Each module in the run is labeled for easy field installation.

WARRANTY: Drivers and LED boards are rated for 50,000 hours. 5 Year Warranty. ARRA Compliant. UL & cUL listed.

DIMENSIONS

Due to continued improvements, RLE Industries reserves the right to change specifications with or without notice.



ORDERING INFORMATION

When ordering, check or mark each box to select the options desired for the project. Unmarked boxes will be treated as standard assembly.

MODEL	WIDTH	RUN LENGTH	LUMENS	CCT	CEILING TYPE	OPTIONS	FINISH
<input type="checkbox"/> RDR - REGRESSED LENS	<input type="checkbox"/> 2 - 2" WIDTH <input type="checkbox"/> 2.5 - 2 1/2" WIDTH <input type="checkbox"/> 3 - 3" WIDTH <input type="checkbox"/> 4 - 4" WIDTH <input type="checkbox"/> SPECIFY:	<input type="checkbox"/> XX' - SPECIFY <div style="border: 1px solid black; width: 50px; height: 20px; margin: 5px auto;"></div>	<input type="checkbox"/> ST - STANDARD <input type="checkbox"/> SPECIFY: <div style="border: 1px solid black; width: 100px; height: 20px; margin: 5px auto; text-align: center;">CUSTOM</div>	<input type="checkbox"/> 30K - 3000K <input type="checkbox"/> 35K - 3500K <input type="checkbox"/> 40K - 4000K <input type="checkbox"/> 50K - 5000K	<input type="checkbox"/> T - TILE <input type="checkbox"/> SR - SHEET ROCK	<input type="checkbox"/> DIM - DIMMABLE <input type="checkbox"/> EM - EMERGENCY <input type="checkbox"/> EMC - EMERGENCY CIRCUIT <input type="checkbox"/> OCC - OCCUPANCY	<input type="checkbox"/> W - WHITE <input type="checkbox"/> BLK - BLACK <input type="checkbox"/> SVR - SILVER <input type="checkbox"/> SPECIFY: RAL#
	<div style="border: 1px solid black; width: 50px; height: 20px; margin: 5px auto;"></div>						<div style="border: 1px solid black; width: 50px; height: 20px; margin: 5px auto;"></div>