

PROJECT:	
FIXTURE TYPE:	
APPROVED BY:	DATE:
NOTES:	

OS4



DOWNLIGHT LUMENS/WATTS

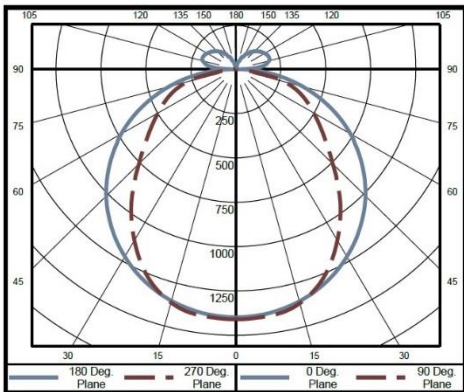
OUTPUT	WATTS/FT.	LUMENS/FT.
STANDARD (ST)	15	1217

Lumen results are shown as 4000K

UPLIGHT LUMENS/WATTS

OUTPUT	WATTS/FT.	LUMENS/FT.
STANDARD (ST)	7.5	1000

LIGHT DISTRIBUTION



For full photometry and IES visit www.lumeneralighting.com

Pendant: Open Square 4" Linear LED

SPECIFICATION



FIVE YEAR WARRANTY



APPLICATIONS: Office Buildings, Schools, Hospitality, Healthcare, Retail.

HOUSING: Extruded aluminum housing and steel end plates, powder coated matte white finish. Custom colors are available. Integrated driver box housed on roof of fixture and is painted to match housing. For remote driver, please specify.

ELECTRICAL: Philips Xitanium Universal LED Drivers (120-277V) and Philips Fortimo LED Boards (83 CRI – Consult factory for higher CRI) compatible with 0-10V dimming systems to deliver reliably smooth dimming performance down to a minimum of 1%. Dimming must be specified in the part number. Drivers can be calibrated by factory for specific lumen output. High output is available – consult with factory. Standard Output is 15 Watts per foot (two board rows) for downlights, and 7.5 Watts per foot for uplights. Minimum operation temperature is -25 C and maximum operation temperature is 50 C.

OPTICS: Interior Reflector made from extruded aluminum and is powder coated matte white finish; 30% gloss factor which is 94% reflective for smooth light distribution. The uplight optic is a frosted spread lens for high transmission and smooth illumination.

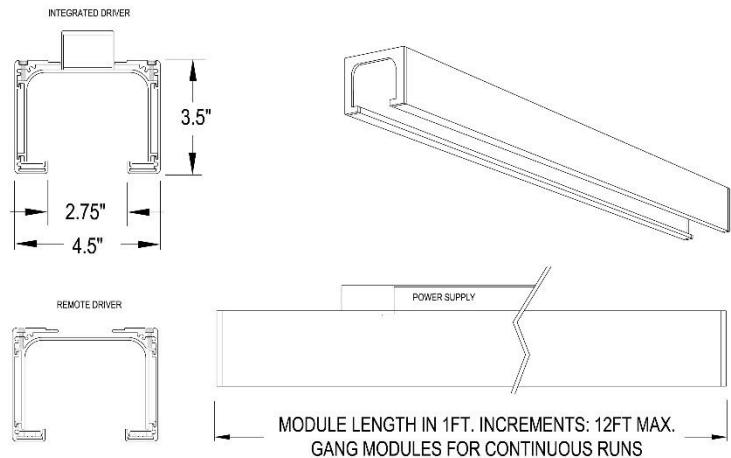
MOUNTING: For pendants; White rounded power cable is an SJ18/3 conductor wire; To canopy mounted to ceiling J-Box.

JOINING: For continuous runs, factory will provide four 1" steel pins at the end of each module which are inserted in the side grooves of the extrusion. These pins are then inserted into the joining module and our secured at the roof of the housing by a single point mounting plate that straddles the two joining modules. Each module in the run is labeled for easy field installation.

WARRANTY/CERTIFICATION: Drivers and LED boards are rated for 50,000 hours. 5 Year Warranty. ARRA Compliant. UL & cUL Listed.

DIMENSIONS

Due to continued improvements, RLE Industries reserves the right to change specifications with or without notice.



ORDERING INFORMATION

When ordering, check or mark each box to select the options desired for the project. Unmarked boxes will be treated as standard assembly.

MODEL	DRIVER MOUNT	APPLICATION	RUN LENGTH	LUMENS	CCT	MOUNTING	OPTIONS	FINISH
<input checked="" type="checkbox"/> OS4 - OPEN SQUARE 4'	<input type="checkbox"/> I - INTEGRATED <input type="checkbox"/> R - REMOTE	<input type="checkbox"/> D - DOWN <input type="checkbox"/> DU - DOWN/UP	<input type="checkbox"/> XX' - SPECIFY	<input type="checkbox"/> ST - STANDARD DOWNLIGHT <input type="checkbox"/> ST - STANDARD UPLIGHT <input type="checkbox"/> SPECIFY:	<input type="checkbox"/> 30K - 3000K <input type="checkbox"/> 35K - 3500K <input type="checkbox"/> 40K - 4000K <input type="checkbox"/> 50K - 5000K	<input type="checkbox"/> 48C - 48" <input type="checkbox"/> SPECIFY: XXAC	<input type="checkbox"/> DIM - DIMMABLE <input type="checkbox"/> EM - EMERGENCY <input type="checkbox"/> EMC - EMERGENCY CIRCUIT <input type="checkbox"/> 2C - TWO CIRCUIT <input type="checkbox"/> 2CD - TWO CIRCUIT DIMMING	<input type="checkbox"/> W - WHITE <input type="checkbox"/> BLK - BLACK <input type="checkbox"/> SVR - SILVER <input type="checkbox"/> SPECIFY: RAL#
	Select "R" if specifying an uplight component			CUSTOM - Separate DU with a slash		SPECIFY Length		